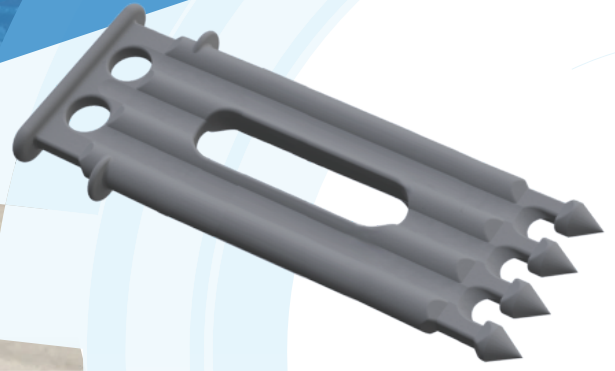


CA125

Composite-Action



	USA	International
Tie Length:	8.5 in	216 mm
Embedment Depth:	(head) 1.75 in (tip) 1.75 in	45 mm 45 mm
Dimensions Through Foam:	0.47 in x 3.13 in	12 mm x 80 mm
Insulation Thickness:	5 in	125 mm
Wythe 1:	2–6 in	50–150 mm
Wythe 2:	2–6 in	50–150 mm
Ultimate Tension Capacity ¹ :	5,900 lb	26.1 kN
Ultimate Shear Capacity ² :	4,076 lb	18.1 kN
95% Confidence 5% Fractile Shear Strength ² :	3,794 lb	16.9 kN
Alkaline Resistance:	Excellent ³	
Impact Resistance:	Excellent ⁴	
Fire Performance:	Resist 300-lb tension load for over 90 minutes when fire tested per Section 7.4.3 of ASTM E1512-01	
Thermal Conductivity:	1.75 Btu-in/hr-ft ² °F 0.25 W/m ² K	

1 Testing by Construction Consulting Laboratory, International, Carrollton, TX, f'c = 5,000

2 HK CA Tie 5% Fractile Testing, Durham School of Architectural Engineering and Construction, University of Nebraska-Lincoln, Lincoln, NE, May 12, 2021, f'c = 5,000

3 96.2% retained strength after 3,000 hours of conditioning in pH12 solution, Testing of HK Composite Low Conductivity Ties to ICC-ES AC308 Criteria, Report Number: ESP014387P.1, March 5, 2014, Element Materials Technology, St. Paul, MN

4 The un-notched Izod Impact of the base resin is 21.0 ft-lb/in (1,120 J/m)

DISCLAIMER OF LIABILITY: It is the sole responsibility of the contractor to install the HK ties in accordance with the published instructions. It is also the responsibility of the owner to confirm proper industry standards and methods are used by contractors, engineers, suppliers, and all others hired by the owner. The presence of an HK Composites representative at the job site does not relieve the contractor from the responsibility to follow published installation instructions. HK COMPOSITES IS NOT RESPONSIBLE FOR ANY LIABILITY RESULTING FROM A FAILURE TO FOLLOW THESE INSTRUCTIONS. Our recommendations should not be taken as a construction specification nor inducements to infringe on any patent or violate any law, safety code or insurance regulation.

U.S. Patent 6,895,720 B2

© Copyright 2024 HK Composites. All rights reserved. Published 02/2024

Made in the USA

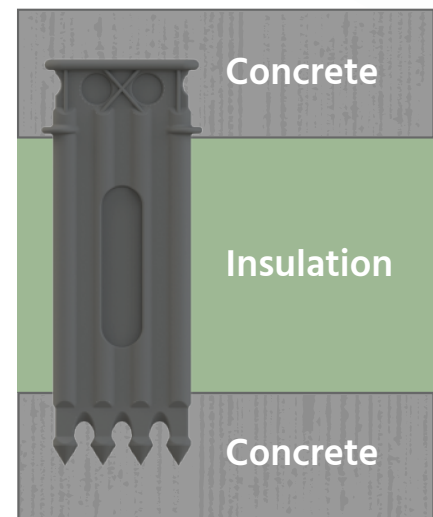
Low-Conductivity GRP Wall Tie

APPLICATION

Connects tilt-up and precast insulated concrete sandwich panels with maximum thermal performance

INSTALLATION

See installation instructions Pub. No. HK-CA-II before using



CONTACT US

Toll-Free: 1-800-430-6316
International: 801-763-0907

926 S Auto Mall Dr, Ste 4
American Fork, UT 84003

hkties.com

HK